



Datasheet

Half-Slim SATA SSD



Features

- Suitable for wide-temperature applications
- On-chip hardware BCH-ECC engine
- Supports AHCI mode, TRIM commands and NCQ
- Supports DEVSLP mode (HSD510/370/370I)
- Compliant with JEDEC MO-297
- Specifically designed for mobile devices such as tablets and notebooks
- SuperMLC technology of Transcend to make the MLC NAND act as high-speed SLC NAND (HSD510)
- Advanced S.M.A.R.T. and SSD Scope Pro drive health monitoring tools
- Built-in Power Shield active monitoring circuit prevents data loss in the event of a sudden power outage
- Efficient Global Wear-Leveling and Block Management ensure long-term reliability

Introduction

Equipped with a powerful controller, Transcend's SATA III 6Gb/s and SATA II 3Gb/s Half-Slim SSDs deliver outstanding transfer speeds yet are significantly smaller than standard 2.5" form factor drives. Following the MO-297 standard set by JEDEC, these half-slim SSD modules undergo extensive reliability testing to ensure the utmost quality and performance, best suited to read-heavy applications and space-limited mobile devices such as industrial control systems, medical equipment, mobile devices, and POS terminals.



www.transcend-info.com/Embedded/

© Transcend 2017. All rights reserved. Transcend and the Transcend logo are registered trademarks of Transcend Information, Inc. Product offerings and specifications are subject to change without notice. All other products, brand names, company names and logos are trademarks of their respective owners.

Specifications

	HSD370	HSD370I	HSD510	SSD25H-S	HSD630
Interface	SATA III 6Gb/s			SATA II 3Gb/s	
Flash Type	MLC		SUPER MLC	SLC	MLC
Connector	SATA (7+15-pin)				
Form Factor	Half-Slim MO-297				
Capacity	16~256GB	16GB	8~128GB	2~8GB	8~64GB
Sequential Read*	550 MB/s	110 MB/s	570 MB/s	95 MB/s	235 MB/s
Sequential Write*	320 MB/s	20 MB/s	470 MB/s	85 MB/s	85 MB/s
Operating Temperature	0°C~70°C**	-40°C~85°C		0°C~70°C**	
Storage Temperature	-40°C~85°C				
Humidity	0%~95%				
Shock	1,500G, 0.5ms, 3 axis				
Vibration	3G, 5Hz to 800Hz (Operating) / 5G, 5Hz to 800Hz (Non-Operating)				
Operating Voltage	5V±5%				
Power Consumption	2.5W (active), 0.5W (idle)			1.4W (active), 0.65W (idle)	
Dimensions	54.0 x 39.8 x 4.1mm				
MTBF	1,500,000 hrs			1,000,000 hrs	
Warranty	3-year Limited				

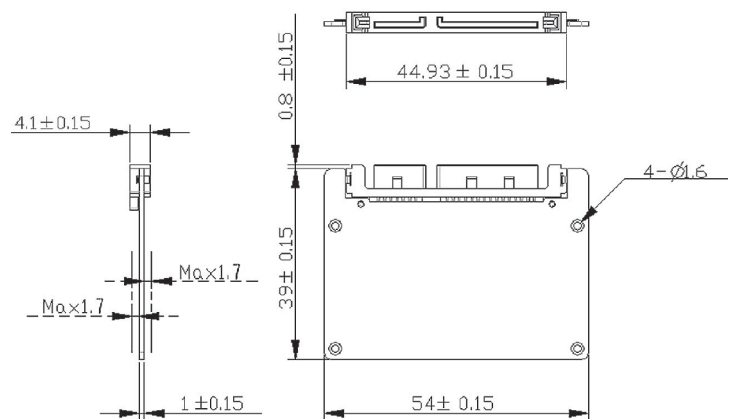
*Max. Performance
**optional: -40°C~85°C

Ordering Information

HSD630 MLC	TS8GHSD630	8GB	HSD370 Series MLC	TS16GHSD370	16GB
	TS16GHSD630	16GB		TS16GHSD370I	16GB
	TS32GHSD630	32GB		TS32GHSD370	32GB
	TS64GHSD630	64GB		TS64GHSD370	64GB
HSD510 SUPER MLC	TS8GHSD510	8GB	SSD25H-S SLC	TS128GHSD370	128GB
	TS16GHSD510	16GB		TS256GHSD370	256GB
	TS32GHSD510	32GB		TS2GSSD25H-S	2GB
	TS64GHSD510	64GB		TS4GSSD25H-S	4GB
	TS128GHSD510	128GB		TS8GSSD25H-S	8GB

Industrial temp. capacities available by request

Drawing



Contact information

Transcend Information. Inc.

No. 70, XingZhong Rd., NeiHu Dist. Taipei, Taiwan, R.O.C.

Tel: +886-2-2792-8000

sales-tw@transcend-info.com



www.transcend-info.com/Embedded/

© Transcend 2017. All rights reserved. Transcend and the Transcend logo are registered trademarks of Transcend Information, Inc. Product offerings and specifications are subject to change without notice. All other products, brand names, company names and logos are trademarks of their respective owners.